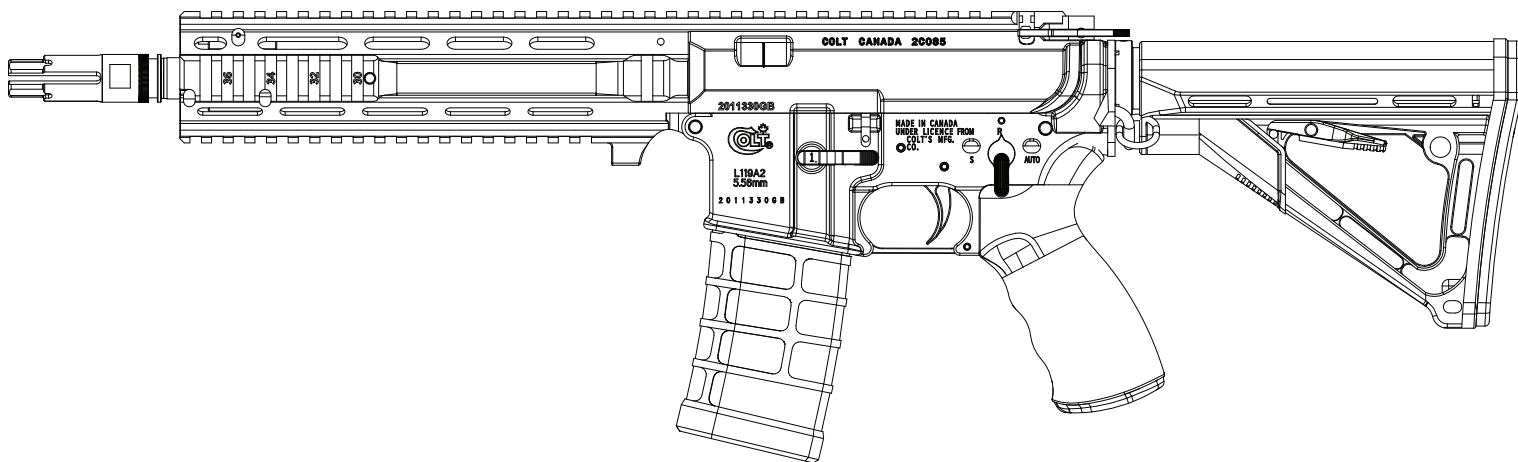




L119A2 UK SPECIAL AIR SERVICE RIFLE



MFG
BY:



ARCHWIZCH



**OPERATOR'S MANUAL
READ BEFORE USE**

UNDER
LICENSE
FROM:



CYBERGUN

⚠ WARNING / AVERTISSEMENT

**UNITED STATES
WARNING ⚠**

This is not a toy. Misuse may cause serious injury or death. Eye protection designed for air soft guns must be worn by the user and any person within range. Read the owner's manual before using. This product is intended for users 18 years or older. Adult supervision required. Be advised that this product can be mistaken for a firearm by law enforcement officers or others. Brandishing or displaying the product in public may cause confusion and may be a crime. Altering the coloration or markings required by state or federal laws and regulations for the purpose of making the product look more like a firearm is dangerous and may be illegal. Purchaser and user of this product shall adhere and be fully responsible for all local laws regulating the usage and ownership of airsoft guns. Only transport this item in proper carrying device.

**DEUTSCHLAND
ACHTUNG ⚠**

Dies ist kein Spielzeug. Ein unsachgemäßer Gebrauch oder eine falsche Handhabung könnte Verletzungen verursachen. Verkauf an Minderjährige (-18 Jahre) kann verboten sein. Bitte schießen Sie nicht auf harte Oberflächen, dies könnte Querschläger / Abpraller verursachen. Brille und angepasster Schutz (Maske) sind obligatorisch. Bitte schießen Sie nie auf Personen oder Tiere. Vor Gebrauch bitte sorgfältig die Bedienungsanweisungen durchlesen.

**ENGLAND
CAUTION ⚠**

This is not a toy. Careless handling or abuse may cause injuries. Sale may be forbidden to minors (under 18). Do not fire at hard surfaces in order to avoid ricochets. Eyewear and appropriate protective gear are required. Do not fire at humans or animals. Read and understand instructions before you use the product.

**ITALIA
ATTENZIONE ⚠**

Questo non è un giocattolo. Un uso o una manipolazione sbagliata di quest'articolo potrebbe causare delle ferite. Vendita può essere vietata ai minori (- di 18 anni). Non tirare su delle superficie dure che potrebbero provocare dei rimbalzi. Il porto di occhiali e di protezioni adatte sono obbligatori. Interdizione di sparare alle persone e agli animali. Leggere attentamente le istruzioni per l'uso prima del primo impiego.

**ESPAÑA
ATENCIÓN ⚠**

No es un juguete. Un mal uso o una mala utilización puede provocar daños personales. Venta prohibida a los menores (menos de 18). Nunca tiren sobre superficies duras, ya que los proyectiles podrían rebotar. Gafas de protección y equipamiento apropiado obligatorio. Nunca disparen a personas o animales. Lea atentamente las instrucciones de uso antes de utilizar este producto.

**FRANCE
ATTENTION ⚠**

Ceci n'est pas un jouet. Une mauvaise utilisation ou une manipulation par inadvertance pourrait provoquer des blessures. La vente peut être interdite aux mineurs (- de 18 ans). Ne tirez pas sur des surfaces dures qui pourraient provoquer des ricochets. Le port de lunettes et de protections adaptées est obligatoire. Ne tirez jamais sur des personnes ou animaux. Lisez attentivement la notice d'emploi avant d'utiliser le produit.

L119A2 GAS BLOWBACK SPECIFICATIONS

Total Length: 710mm

Weight: 3070g

Muzzle Velocity: 125m/s (0.2g 6mm BB)

Energy: 1.55J (Joules)

ATTN: CUSTOMS & LAW ENFORCEMENT AGENTS

This model is a LICENSED AIRSOFT REPLICA of a Colt Canada L119A2 Service Rifle, licensed from Colt's Manufacturing, sub-licensed through Cybergun (France) and manufactured by Archwick (Taiwan) & EMG (USA). The COLT® Logo is used under expressed agreement as specified by the original firearms manufacturer and its intellectual properties licensee.

This 6mm Gas Powered airsoft toy replica is permanently affixed with an blaze orange muzzle device for export markets where it is a legal requirement.

It is designed to shoot 6mm BBs ONLY. It is INCAPABLE of being used in conjunction with real firearm components, and CANNOT be modified to shoot real ammunition.

All ARCHWICK / EMG manufactured airsoft replicas are individually velocity tested with 0.2g 6mm BBs, and CANNOT exceed the muzzle velocity / muzzle energy figures as stated above.

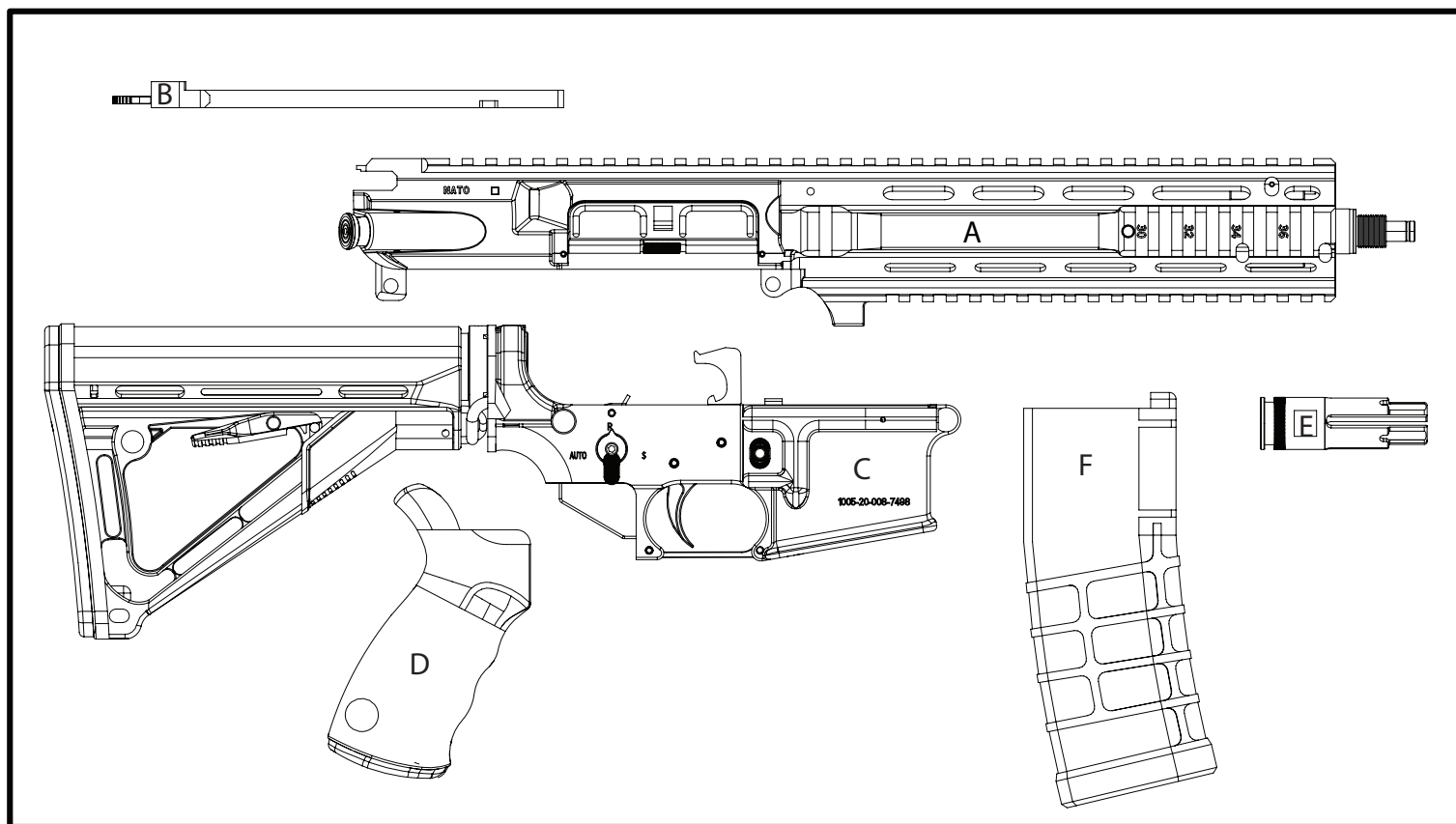
CONTENTS:

- 1 x MONOLITHIC CNC ALUMINUM UPPER RECEIVER
- 1 x CAST ALUMINUM LOWER RECEIVER
- 1 x ALUMINUM CHARGING HANDLE
- 1 x STEEL OUTER BARREL
- 1 x GHK BOLT & INTERNAL SYSTEM
- 1 x STEEL MUZZLE BRAKE WITH 14mm NEG. THREAD (NOT APPLICABLE FOR USA)
- 1 x A-PLUS CNC ALUMINUM HOP UP UNIT
- 1 x 270mm NICKEL COATED 6.03mm ID BRASS BARREL
- 1 x BUTTSTOCK
- 1 x RUBBERIZED GRIP
- 1 x 40rd GHK GAS MAGAZINE
- 1 x STEEL OUTER BARREL INSTALLATION / REMOVAL TOOL
- 1 x TOOL SET
- 1 x HARD SHELL CARRYING CASE
- 1 x OPERATOR'S MANUAL

QUICK REFERENCE - SETTING UP YOUR AIRSOFT GUN

Before using your new L119A2 Airsoft Gun there are a few important steps to take.

STEP 1. ASSEMBLY



For shipping and discreet transportation purposes, your L119A2 GBBR comes packaged as shown in a protective hard cover carrying case. All the tools required for assembly are included, however, any lubricants as necessary for maintenance are user supplied.

- A. Retract the bolt carrier group rearwards out of the upper receiver (A) and set it aside.
- B. Insert the charging handle (B) into its track in the upper receiver, just above where the bolt carrier group resides. You will have to move it forwards slightly before being able to insert it upwards into its retention track, then push it forwards slightly.
- C. With the charging handle loosely installed but still in a rearward position, reinsert the bolt carrier group beneath it and ensure its carrier key engages with the charging handle and push it forward into battery.
- D. With the bolt carrier group and charging handle fully forwards, set the upper receiver assembly aside.
- E. Retrieve the lower receiver assembly and separate ergonomic pistol grip (D) from the lower receiver (C).
- F. Remove the base plate (cap) from the bottom of the grip, inside, you'll find a 5mm screw and washer.
- G. Re-install grip into lower receiver, install screw with the 5mm allen wrench included in your tool kit.
- H. Now that your upper and lower receivers are prepped, you can now join them together. Pull out the pivot pin (Front), and the take down pin (Rear) on your lower receiver. The pins cannot be pulled out completely. Line up the front clevis ear of the upper receiver with the opening vacated by the pulled out pivot pin. With the holes aligned, insert pivot pin. With the pivot pin installed, press the rear of the upper receiver onto the lower receiver. Insert take down pin.

STEP 2. MUZZLE BRAKE INSTALLATION

For those purchasing the Archwick Colt Canada L119A2 GBBR outside of the USA, it will be supplied with a standard steel (not orange polymer) muzzle device. Included in the transport case are 4 muzzle device washers of various thicknesses - 0.8, 1.0, 1.2 & 1.4mm - which can be fitted over the threaded muzzle section prior to installation of the flash hider/ muzzle device.

The standard steel muzzle device (E) has two 19mm across flat edges machined onto the side. They're to act as anchoring points for the included flat head wrench, which is used to install or remove the muzzle device.

- A. Test fit the muzzle device with the thinnest 0.8mm muzzle washer and then thread on the muzzle device until finger tight - the channels between the tangs of the muzzle device should be at 45° to the handguard rails.
- B. If this is not the case, repeat the process with other thicknesses of washer until the desired effect is achieved.
- C. Once the muzzle device successfully aligns at 45° to the handguard rails when finger tightened on, the included 19mm wrench can be used to turn the muzzle device a further 45° to finish tightening it on, and thus aligning the muzzle device perpendicular (90°) to the rails of the handguard.

STEP 3. PREPARING THE MAGAZINE

Your L119A2 GBBR is shipped with 1x 40rd GHK Polymer Shell Gas Magazine (F). This magazine is designed for standard 'green gas' and can be used at ambient temperatures between 20 to 35 degrees celcius. Japanese R134A style gas can be used, but performance will be diminished as pressure is substantially lower.

- A. Rotate magazine until the fill valve is facing UP, insert fill nozzle of green gas can into fill valve. Hold for 4 seconds, and retract the gas bottle. DO NOT overfill the magazine with gas. If too much liquid gas is put into the magazine, there will not be sufficient room for the gas to properly expand inside. An overfilled magazine will give you LESS performance and efficiency. ALWAYS follow the '4 second rule' when filling your magazines for optimal performance.
- B. Fill BBs to capacity with an user supplied loading tool. We recommend BBs at least 0.3g in weight and heavier.
- C.. Insert filled magazine into magazine well, make sure the magazine latch fully engages and the magazine is secured.

NOTE: Metal shell GHK gas magazine, as well as GHK 12g disposable CO2 gas canister magazines can also be used with your L119A2 GBBR.

STEP 4. CHARGING THE RIFLE

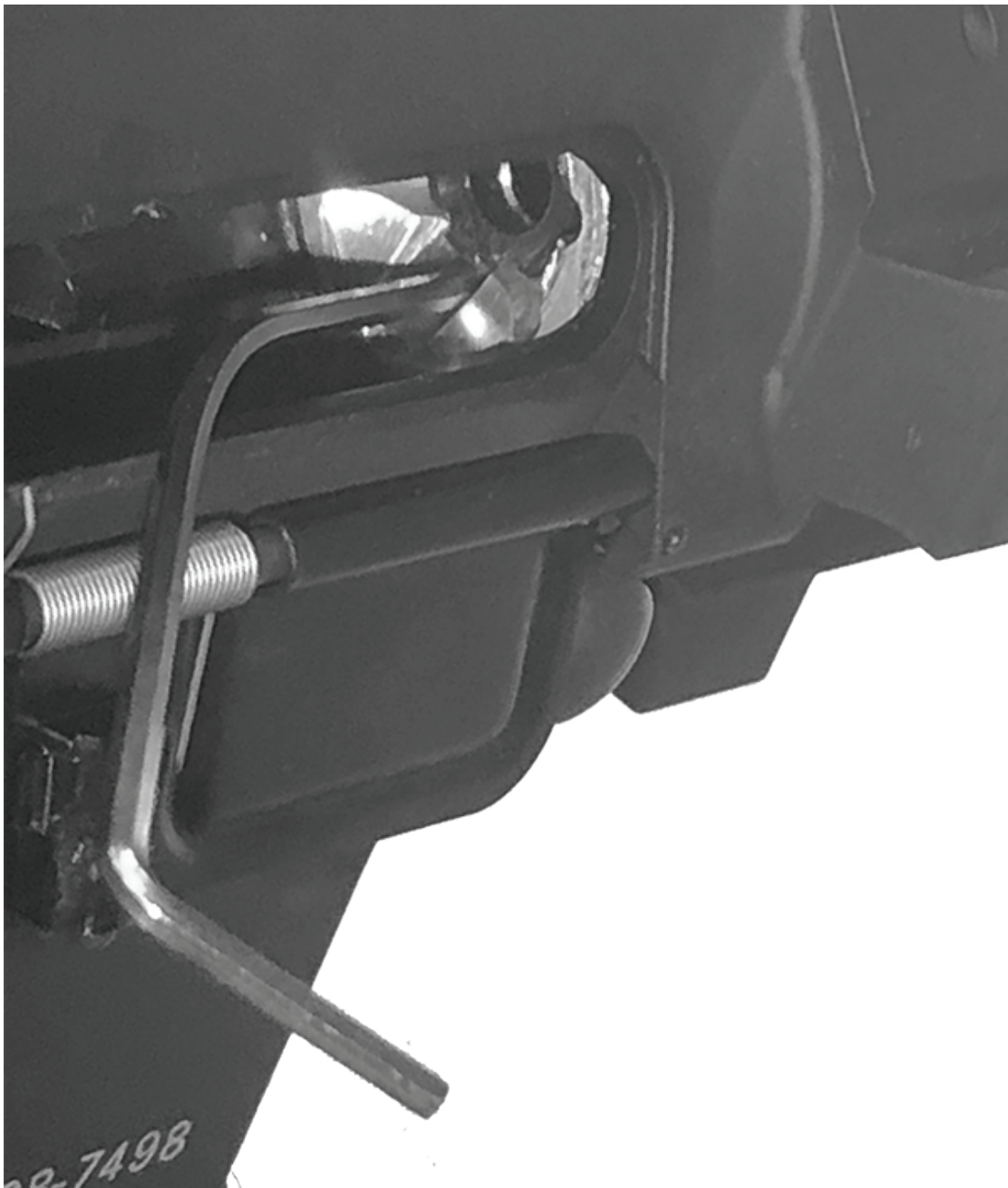
With a filled magazine secured in the magazine well, pull the charging handle all the way back and release. Rotate selector switch to the 'SAFE' position. Your L119A2 GBBR is now ready for use. Turn the selector switch to the desired firing mode when you are ready to shoot.

STEP 5. ADJUSTING THE HOP UP

With your magazine filled with the desired weight BBs and gas, your L119A2 is ready to shoot. Begin by firing a few semiauto shots to check the trajectory of the BBs. If your shots are dipping, the hop up is too low and needs to be set higher. If your shots are flying high, the hop up is too high, and needs to be set lower.

Your L119A2 comes with a custom 2mm allen wrench for hop up adjustment; the tool is purposely bent to allow access to the hop up chamber adjustment screw from the side ejection port. The hop up can be adjusted without disassembly of the airsoft gun.

- A. Insert custom 2mm allen wrench into the hop up adjusting hole, located at the 6 o'clock position of the hop up unit.
- B. Rotate COUNTER CLOCKWISE to INCREASE Hop Up Pressure
- C. Rotate CLOCKWISE to DECREASE Hop Up Pressure
- D. Shoot several rounds to check for the desired effect in between adjustments. Make sure to make small adjustments in between shots when the hop up is near the 'sweet spot'.



MAINTENANCE

Gas Blow Back Rifles have the most realism as their mechanical operation best mimics that of a real firearm. However, the trade off is the increased amount of regular maintenance required to keep the GBBR running in tip top condition.

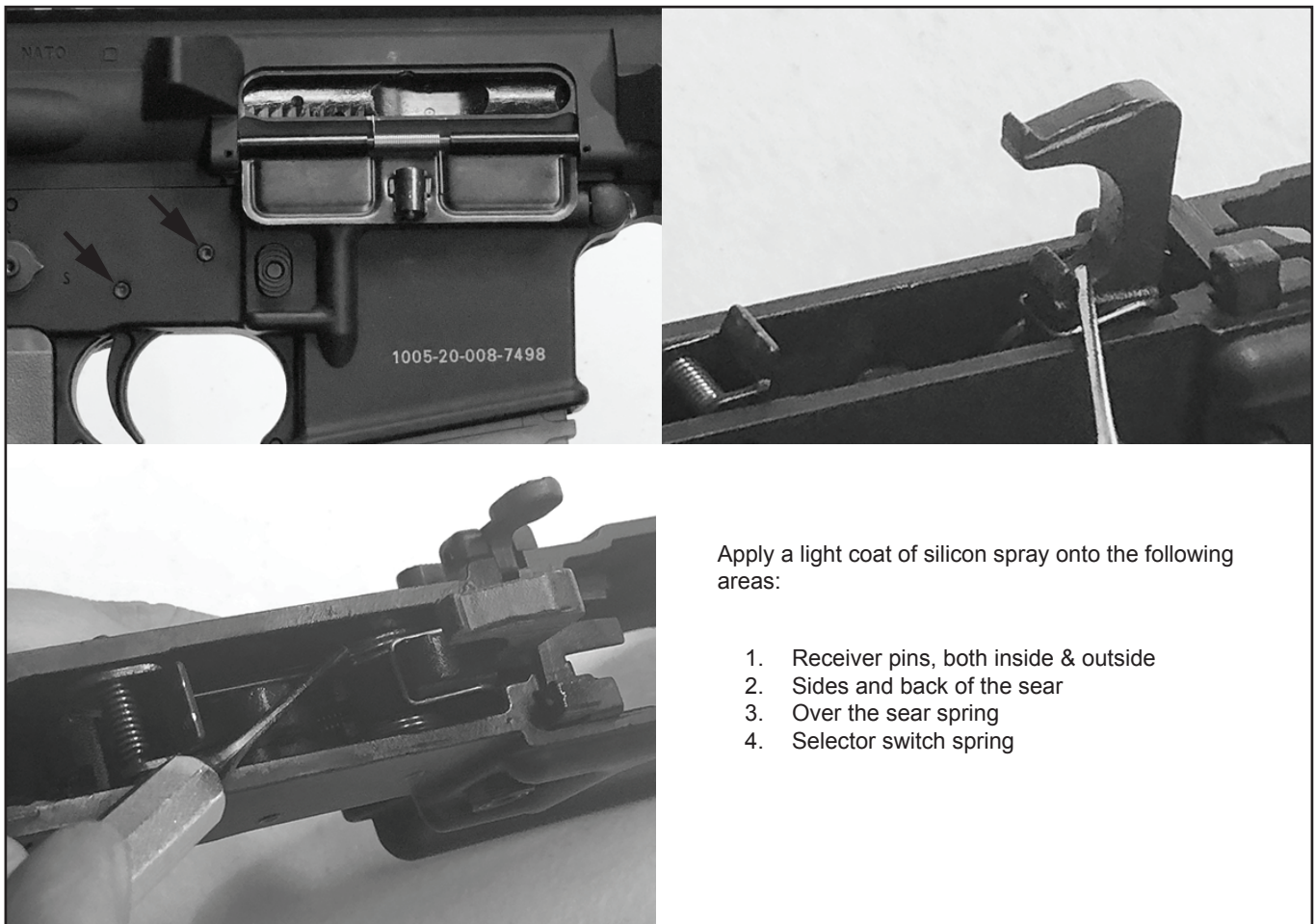
We recommend a full maintenance performed after every 2-3 uses, or at least once a year if your L119A2 GBBR is kept in storage. O-rings can dry up and steel parts can oxidize if left unlubricated over time. A full maintenance requires the cleaning and degreasing of all the major components, and a new application of lubricant on all the cleaned surfaces. When degreasing, we recommend the use of 50-75% rubbing alcohol, avoid cleaners with corrosive solvents or petroleum distillates as they can damage o-rings or polymers and cause premature wear. A light coating of silicon oil may also be necessary if the bolt starts to become sticky and the cycling of the gun becomes less smooth.

Due to shipping / customs restrictions with the transport of chemicals, your L119A2 GBBR is NOT shipped with any lubricants.

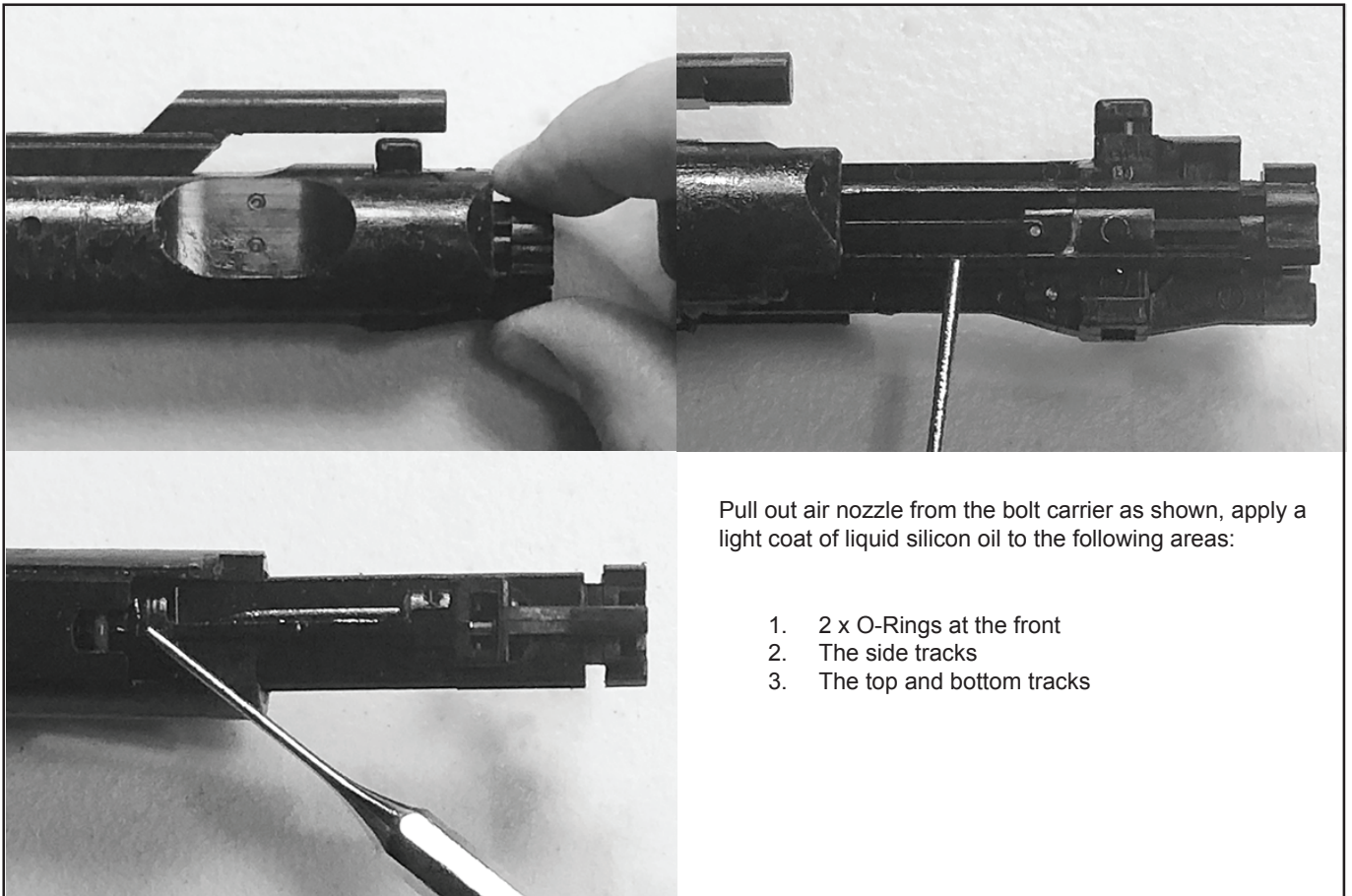
Supplies for maintenance:

1. Low viscosity aerosol silicon oil (silicon spray)
2. Medium viscosity silicon oil (liquid)
3. High viscosity silicon grease (grease / paste)
4. A small brush or appropriate grease applicator tool
5. 50-75% Rubbing Alcohol for degreasing
6. Microfiber cloth for cleaning
7. Compressed Air or Canned PC Cleaner

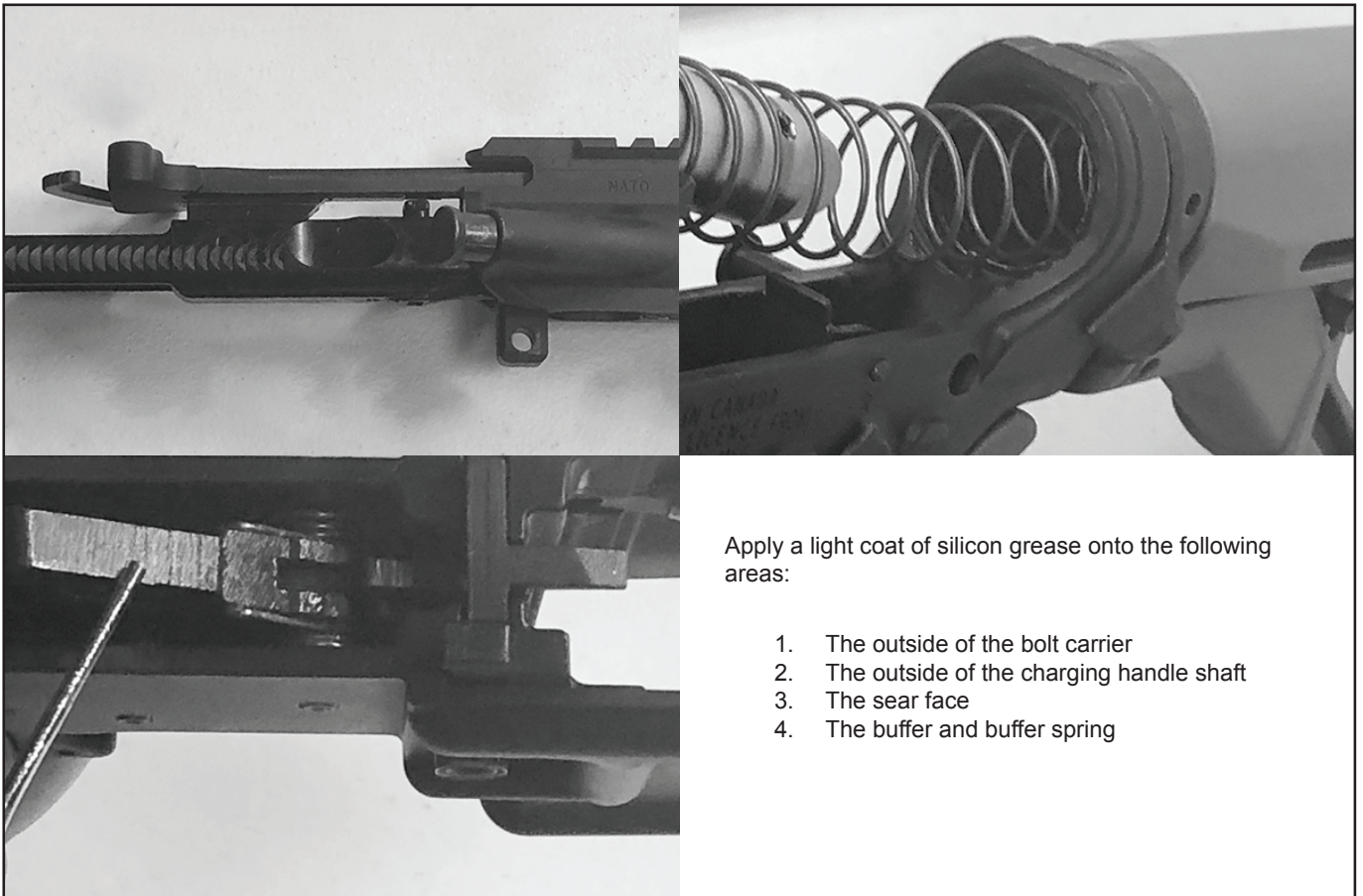
GROUP A: Silicon Spray



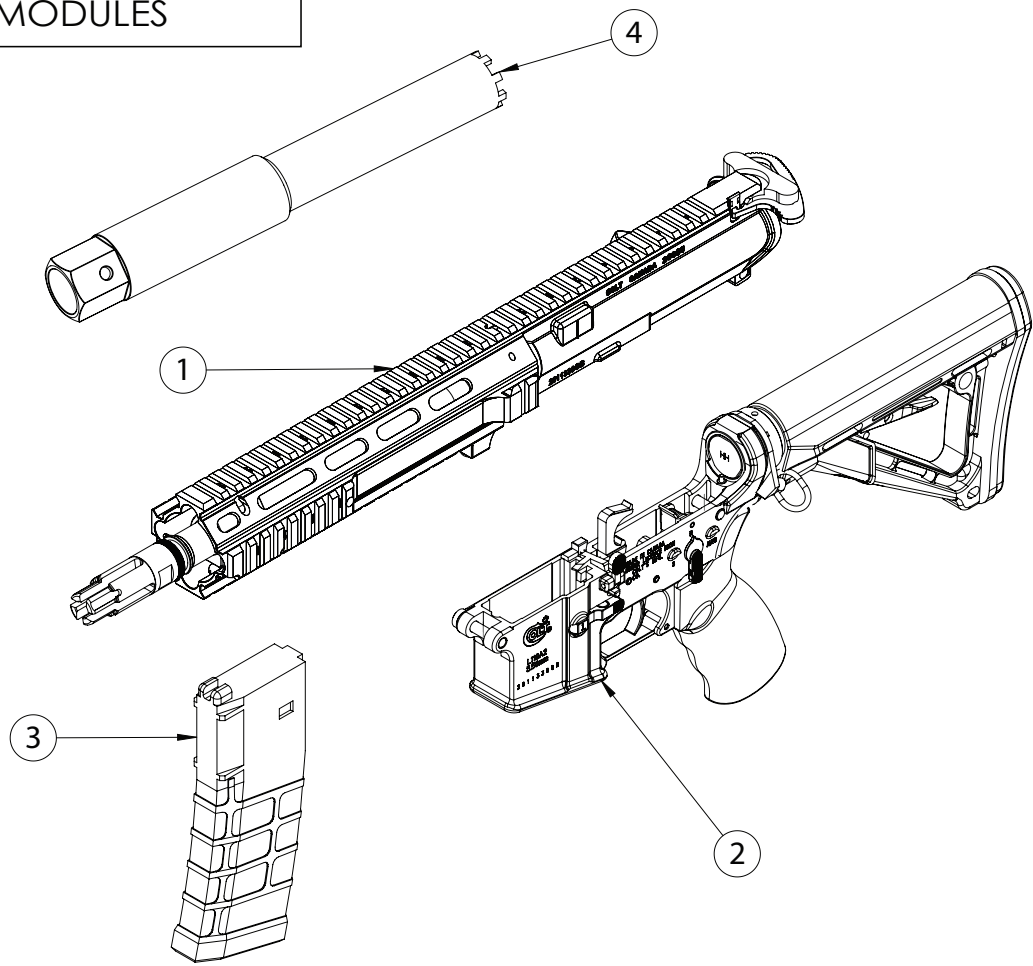
GROUP B: Liquid Silicon Oil



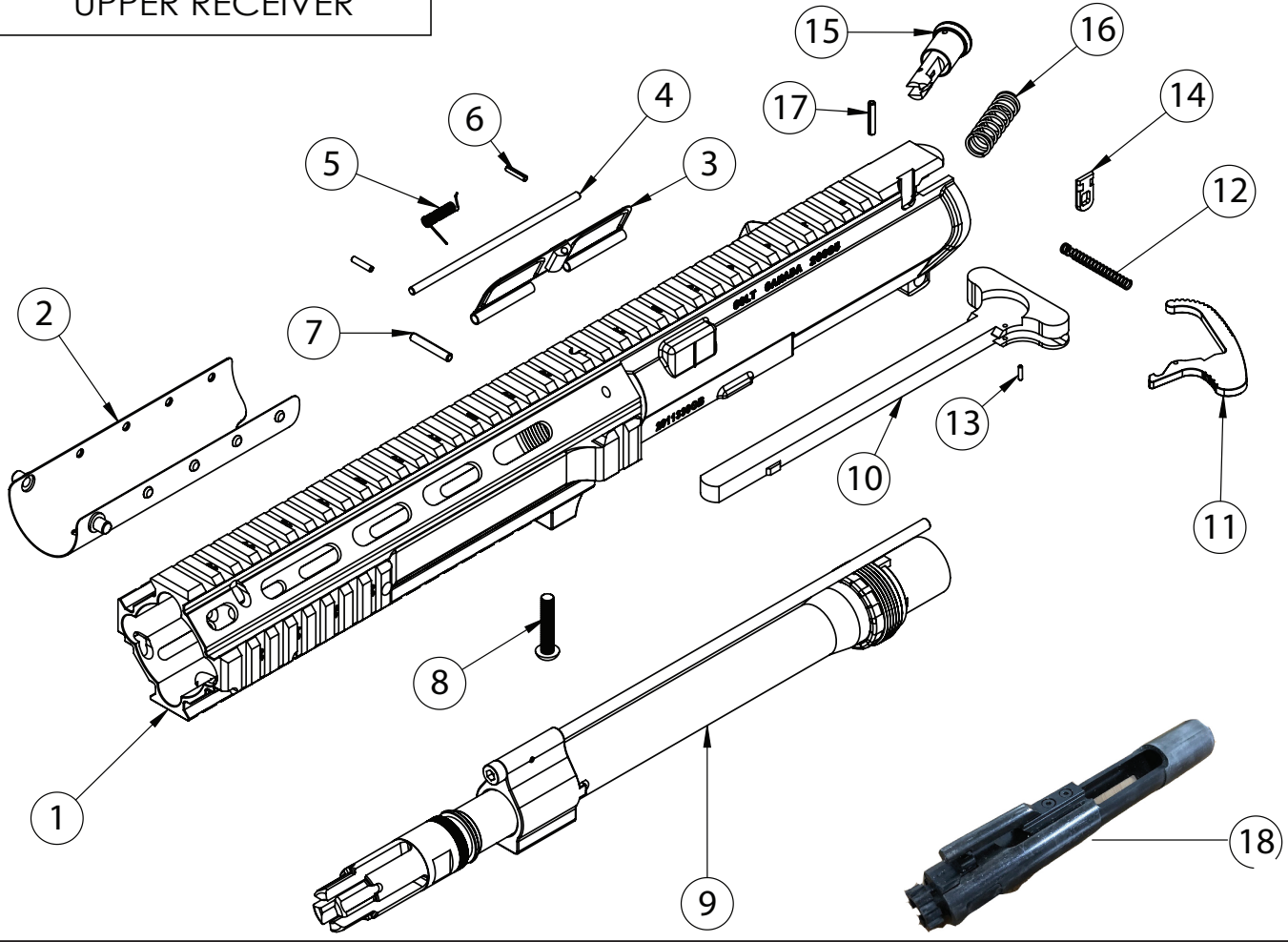
GROUP C: Silicon Grease



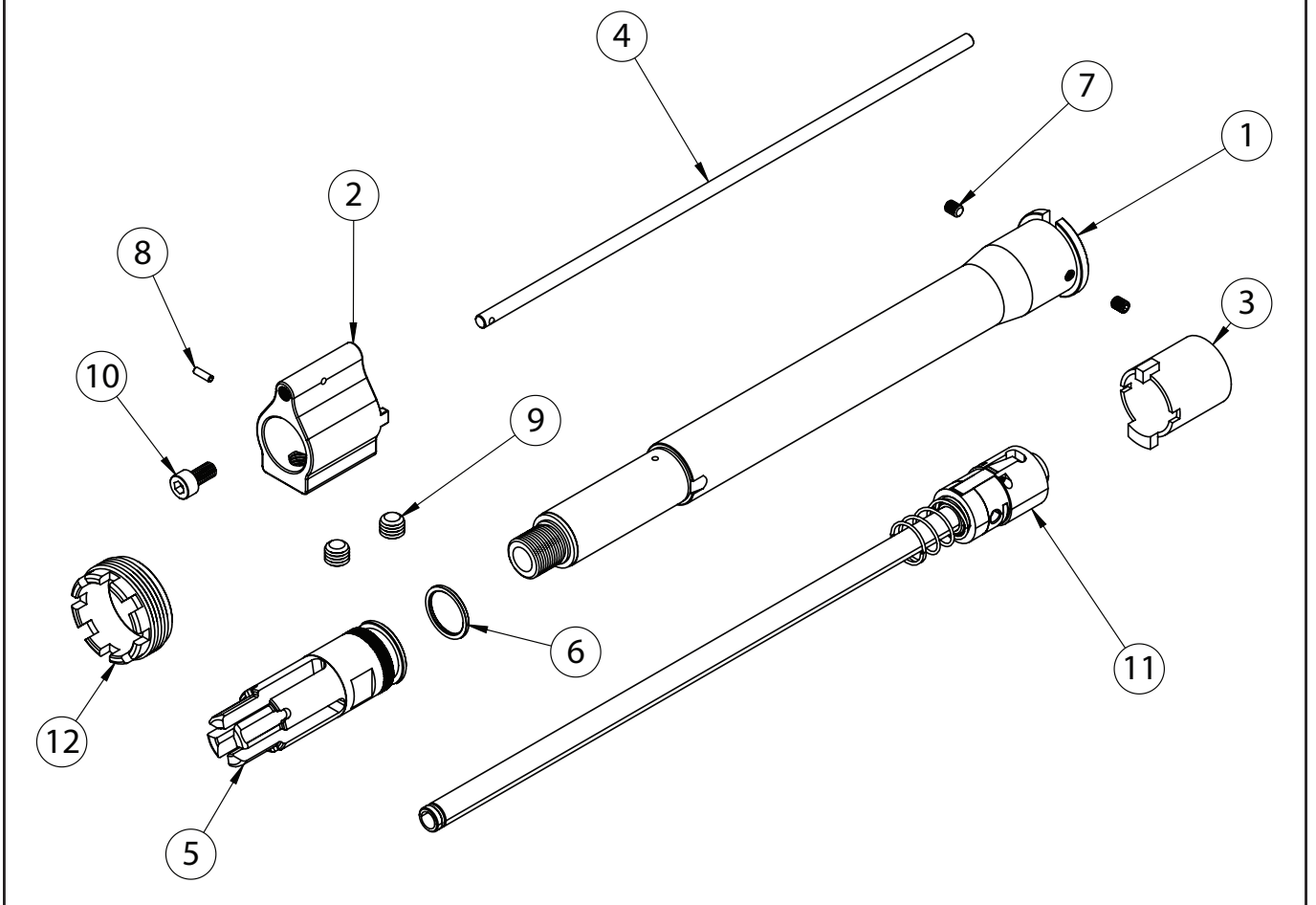
MODULES



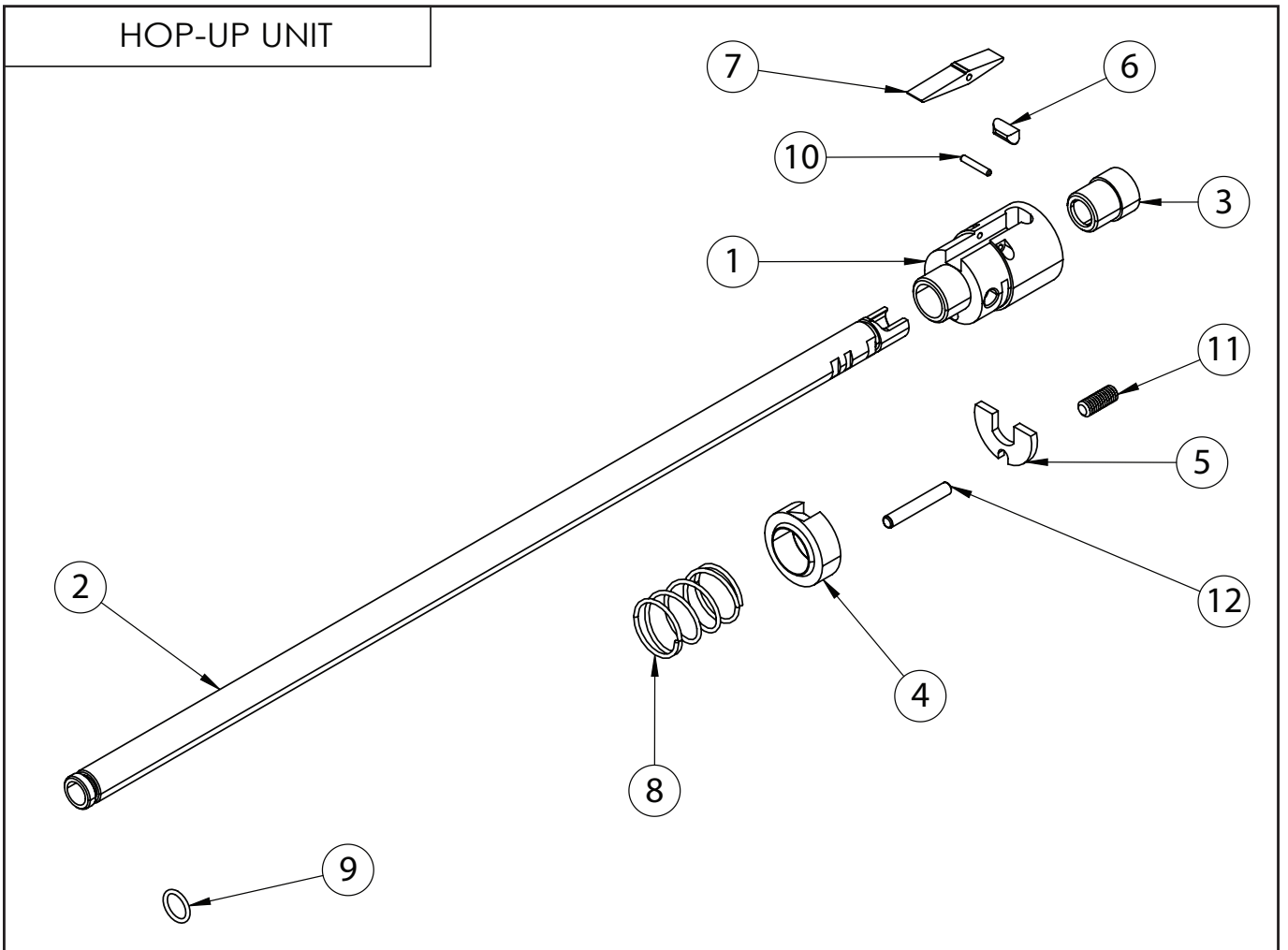
UPPER RECEIVER



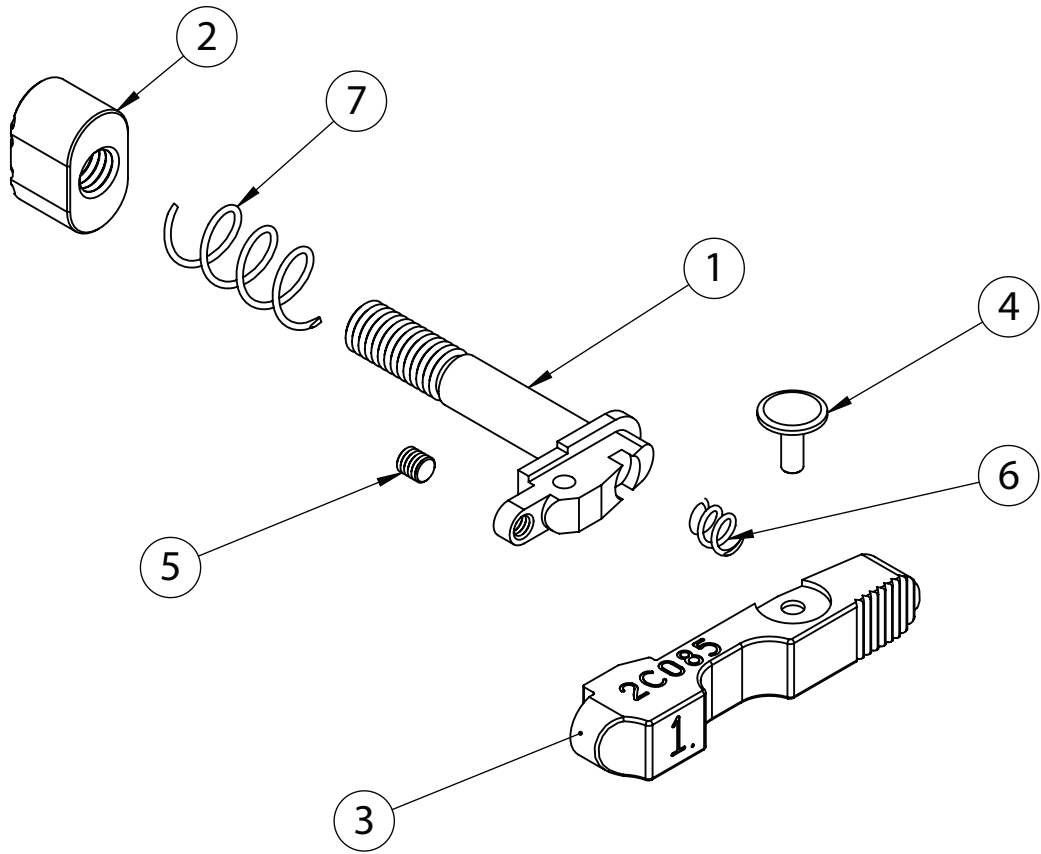
OUTER BARREL



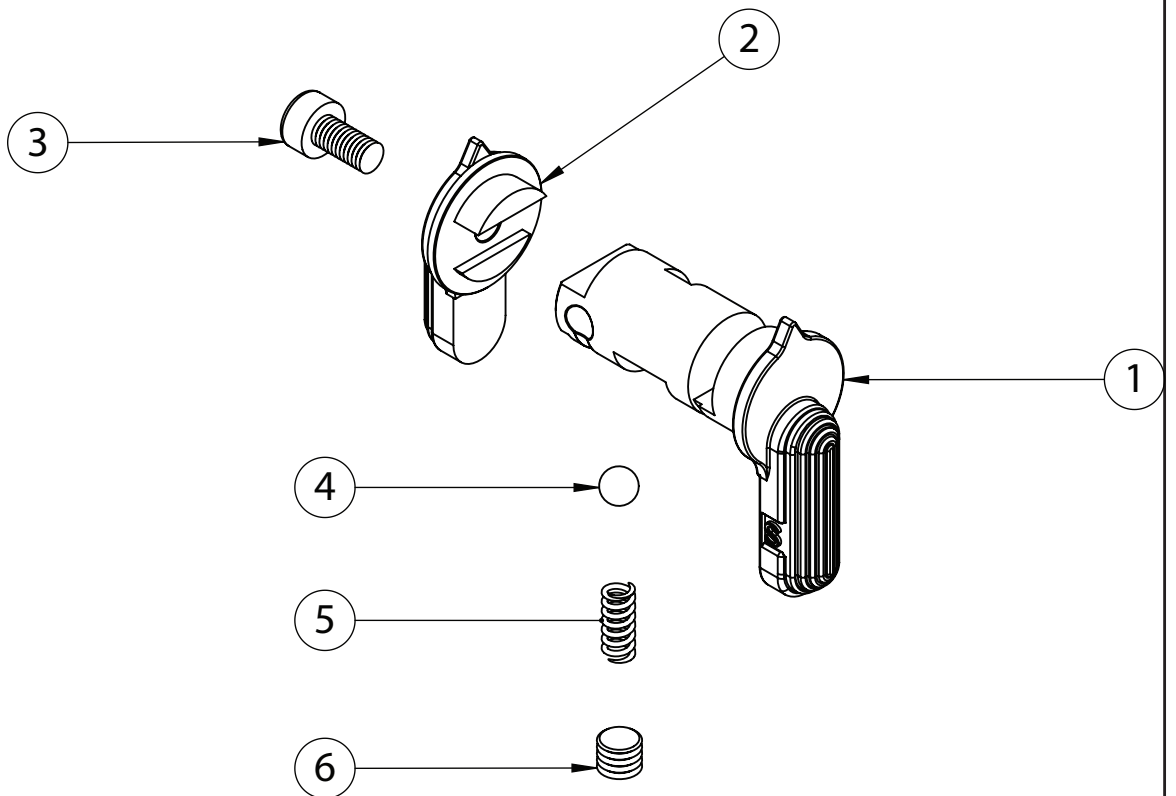
HOP-UP UNIT



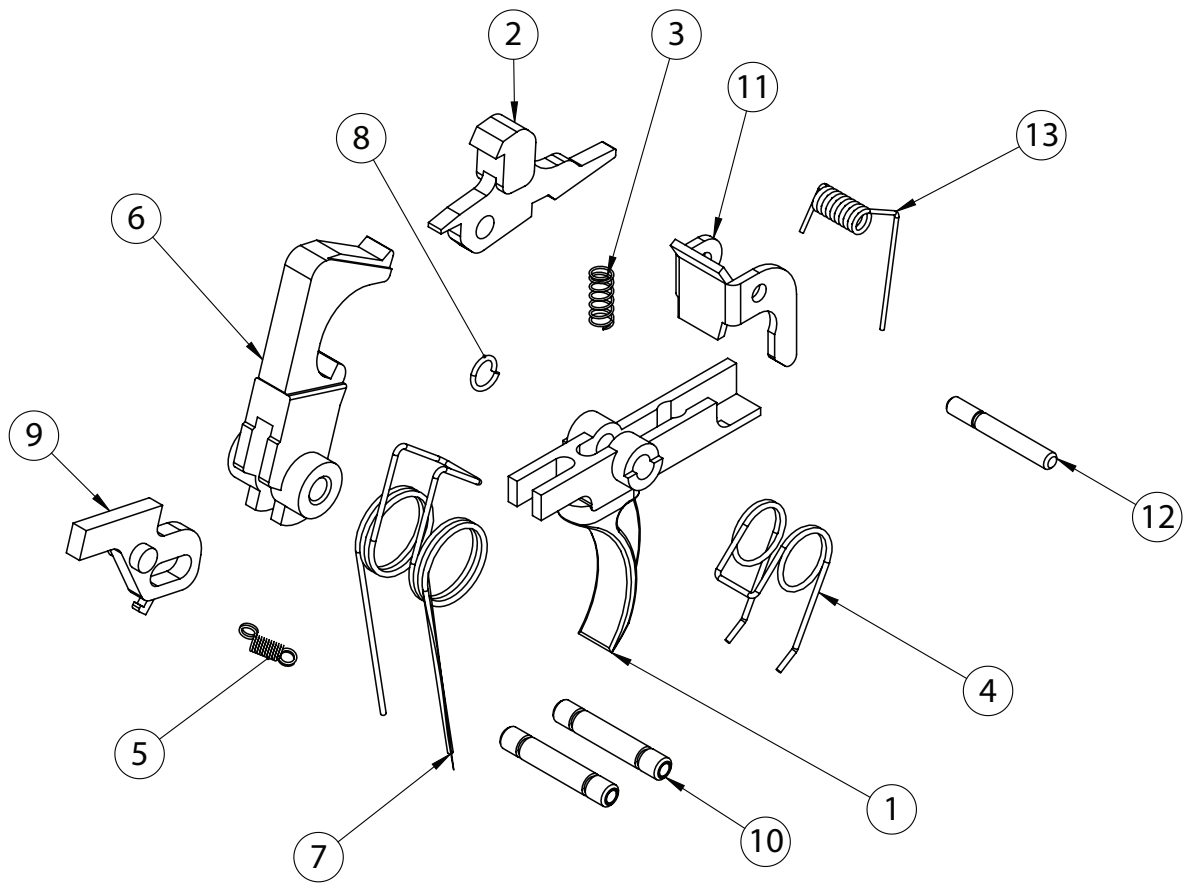
MAG RELEASE



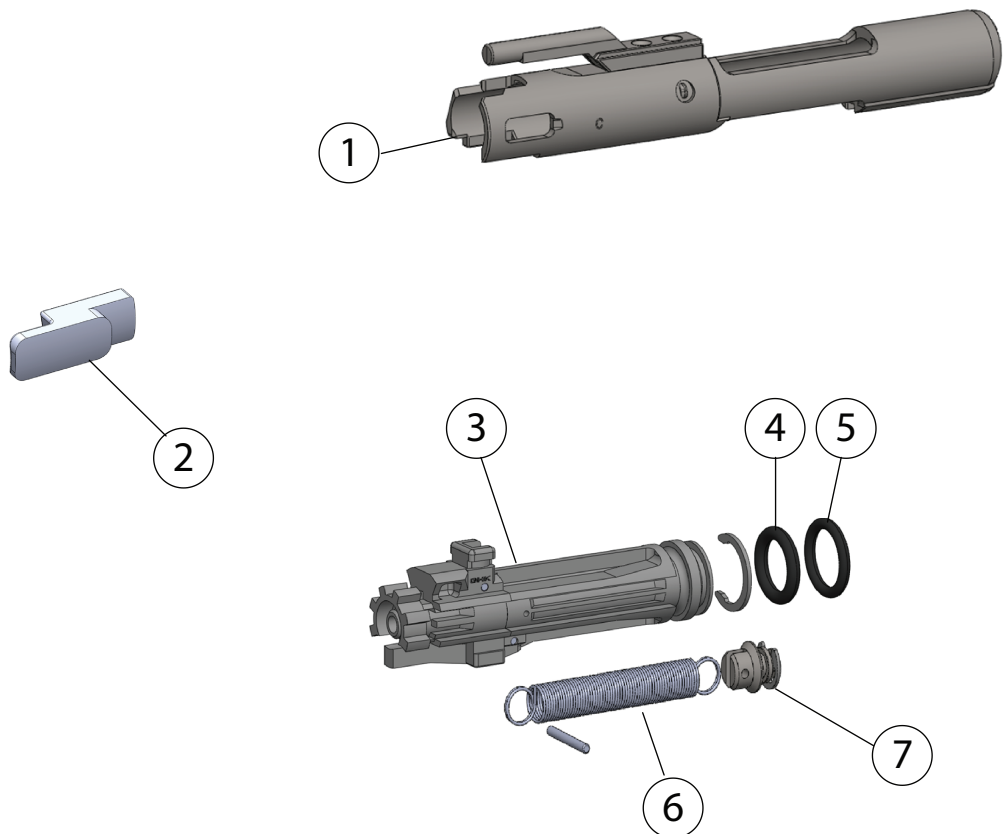
SELECTOR



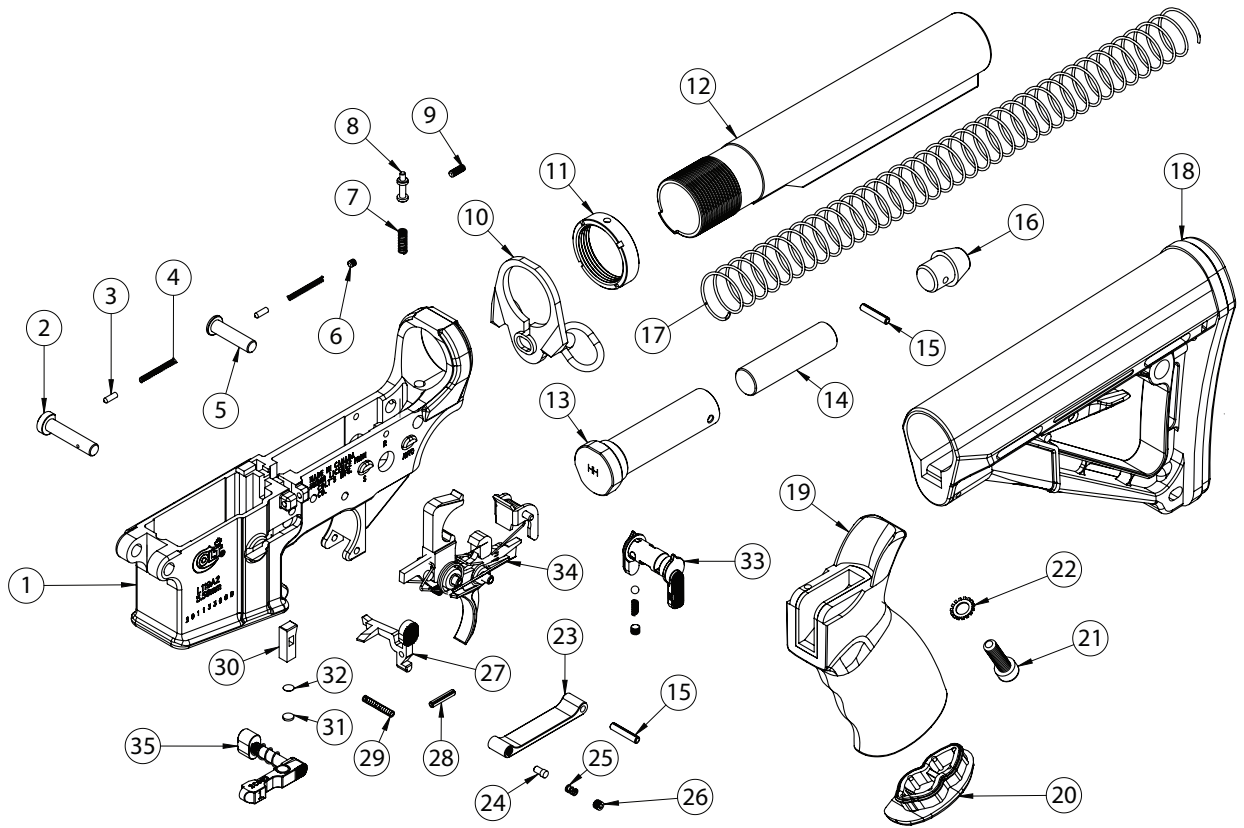
SEAR & TRIGGER



BOLT & AIR NOZZLE



LOWER RECEIVER



**MORE PRODUCT
INFO:**



